

The Chief Inspector of Boilers,
Haryana, I.T.I. Complex, N.I.T.,
Camp at Faridabad.

GRAND PRIX FAB PVT. LTD.

Plot No. 82, Sector-25

Faridabad-121004 (Haryana)

Tel. No. 0129-4151820 (8 Lines)

M/S A.G.Steels Pvt.Ltd.,
Plot No. 82, Sector-25, Faridabad.

To

No. 1447. dt. Faridabad the, 17-4-92.

Subject:- Approval for the manufacture of pipe fittings/ pressure parts
under IBR-1950.

Dear Sirs,

Please refer to your letter No. AG/92/338 dated 24.7.92 on the
subject noted above.

You are hereby allowed to manufacture the pipe fittings/
pressure parts under Indian Boiler Regulations-1950 as per terms and
conditions stated below:-

1. That you will get the design and drawing approved before
starting the job.
2. That you will deposit in advance the inspection fee required
for drawing approval and for construction purposes.
3. That you will submit the tentative programme for stage
inspection well in advance.
4. That you will employ qualified boiler welder as required under
reg. 604 of IBR-1950 for welding work involved.
5. That you will follow the stages of inspection as required
under IBR-1950:
 - a) Material identification.
 - b) weld set up.
 - c) Hydraulic test and N.D. Test.
 - d) Final inspection and stamping.
6. That you will maintain observation sheet for recording stages
of inspection.
7. That you will put up the certificates in Form III-A, III-B &
III-C for signature of Inspecting Officer/ Inspecting
authority with in 15-days of final inspection.
8. That you will maintain the record of certification for at
least ten years from the date of its certification.

Yours faithfully,

Chief Inspector of Boilers
Haryana.

17/4/92
Chief Inspector of Boilers
Haryana Yamuna Nagar

FRESH CERTIFICATE OF INCORPORATION
CONSEQUENT ON CHANGE OF NAME

Company No...05-30528...

In the Office of the Registrar of Companies, Delhi & Haryana
(Under the Companies Act, 1956 (1 of 1956)

IN THE MATTER OF A.G. STEELS PRIVATE LIMITED

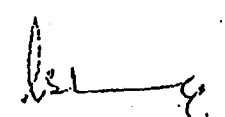
I hereby certify that A.G. STEELS PRIVATE LIMITED

~~XXXX~~, which was originally incorporated on THIRD
day of APRIL one thousand nine hundred and ~~ninty~~ EIGHTY NINE
under the ~~Companies Act, 1956~~ / Companies Act, 1956
(Act. 1 of 1956) Under the Name A.G. STEELS PRIVATE LIMITED

~~XXXX~~ having duly passed the necessary resolution in terms of
Section 21 of the Companies Act, 1956 and the approval of the Central Government signified in
writing having been accorded thereto under Section 21 read with Government of India, Department
of Company Arrairs Notification No. G.S.R. 507 (E) dated 24.6.1985 by Registrar of Companies,
Delhi & Haryana, New Delhi vide Letter No. 21/05-30528/379 dated 16.6.94
the name of the said Company is this day changed to GRAND PRIX FAB. PRIVATE
LIMITED ~~XXXX~~ and this Certificate is issued pursuant to Section 23
(1) of the said Act.

Given under my hand at NEW DELHI This 23rd day of JUNE
(One thousand nine hundred & ninty FOUR .




(MRS. P. SHEELA)
ADDL/ASSTT. REGISTRAR OF COMPANIES
NCT OF DELHI AND HARYANA

by file 13/8/08

From

The Chief Inspector of Boilers,
Haryana, Chandigarh,
Camp at I.T.I. Compound, N.I.T.,
Faridabad.

To

M/S Grand Prix Fab Pvt.Ltd.,
Plot No. 82, Sector-25,
Faridabad.


No.FBD/183/

dt.Faridabad the, *1-8-08*

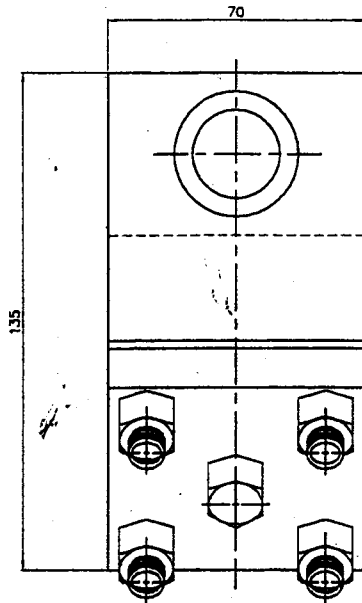
Subject:- Change in name of Company.

Reference to your letter No.GPE/Admn/08 dated 9.7.08
on the subject noted above.

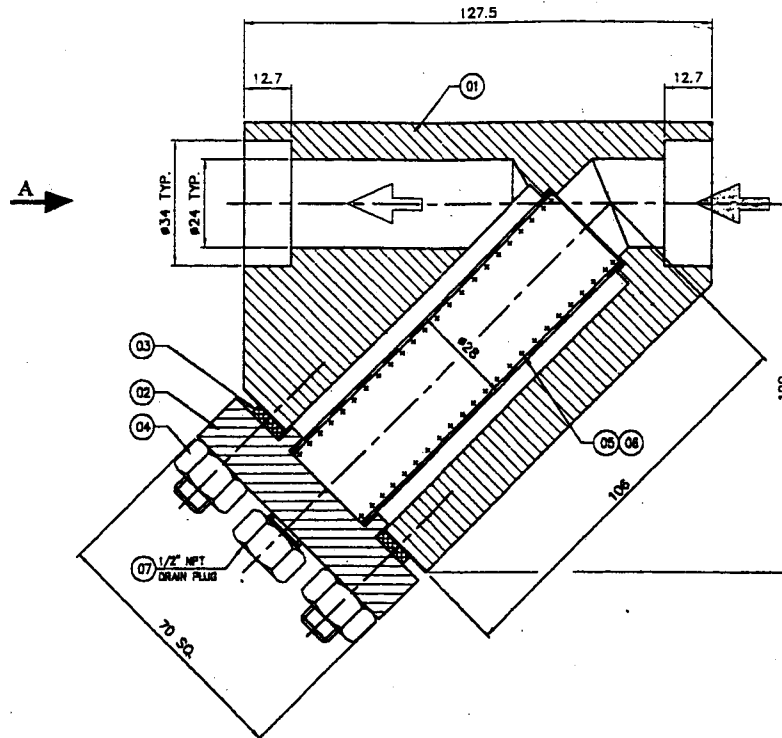
The name of caompany M/S Grand Prix Fab Pvt.Ltd.,
has been changed to M/S Grand Prix Engineering Pvt.Ltd., in the
record of this office. This is for your information and necessary
action please.


Chief Inspector of Boilers
Haryana. *6*

DO NOT SCALE- IF IN DOUBT ASK



VIEW FROM - A



'Y' - TYPE STRAINER

DESIGN DATA

DESIGN CODE : IR-80 / MANUFACTURER STANDARD
 DESIGN PR. : 18 / FY Kg/Cm2
 DESIGN TEMP. : 250 C
 VISCOSITY (cp) : 0.02
 FREE FLOW AREA : MORE THAN 100%
 THROUGH SCREEN : PIPE FLOW AREA
 RADIOGRAPHY : NR.
 JOINT EFF. : 1
 PWHT : NO
 INSP. & TESTING :
 HYDRO TEST PR. : 38 Kg/Cm2

SUPPLY

QUANTITY : 02 Nos. (ITEM CODE - PMS00STR130022A, TAG NO. - 33-SR-130)
 01 No. (ITEM CODE - PMS00STR130022A, TAG NO. - 33-SR-131)
 01 No. (ITEM CODE - PMS00STR130022A, TAG NO. - 33-SR-132)
 02 Nos. (ITEM CODE - PMS00STR130022A, TAG NO. - 33-SR-133)
 02 Nos. (ITEM CODE - PMS00STR130022A, TAG NO. - 33-SR-134)
 TOTAL QUANTITY : 08 Nos.

PAINTING

SURFACE PREPARATION : SURFACE SHALL BE BLAST CLEAN TO SA 2.5
 FINISH : ONE COAT OF INORGANIC ZINC SILICATE PRIMER @ 65-75 MICRON DFT.

NOTE:

- ALL DIMENSIONS ARE IN mm. UNLESS OTHERWISE STATED.
- TOLERANCE ON ALL DIMENSIONS ± 0.3 mm.
- THE INSIDE SURFACE OF THE TEE AND SCREEN ELEMENT MUST HAVE NO GAP.
- ALL FITTINGS SHALL BE NORMALIZED. C = 0.25% & CE = 0.45%.
- ALL SS/AS COMPONENTS SHALL BE PW VERIFIED FOR ALLOWING ELEMENTS.
- ITEM CODE, TAG No. & LINE No. SHALL BE MARKED ON THE BODY OF THE STRAINERS.
- ALL ITEMS SHALL BE DRY, CLEAN & FREE FROM MOISTURE, DIRT & LOOSE FOREIGN MATERIAL OF ANY KIND. ALL ITEMS SHALL BE PROTECTED FROM RUST, CORROSION & MECHANICAL DAMAGE DURING TRANSPORTATION & STORAGE. RUST PREVENTIVE ON BEVELLED ENDS TO BE WELDED, SHALL BE EASILY REMOVABLE WITH A PETROLEUM SOLVENT.
- EACH END OF STRAINER SHALL BE PROTECTED WITH WOODEN OR PLASTIC CAPS. ENDS COVERS SHALL BE SECURELY & TIGHTLY ATTACHED.

Grand Prix Engineering Pvt. Ltd.
 Plot No. 82, Sector-25,
 FARIDABAD-121004 (Haryana)

[Signature]
 Inspector of Boilers
 Haryana, Faridabad

APPROVED

[Signature]
 Haryana, Faridabad

P.No.	QTY.	DESCRIPTION	MATERIAL	SIZE	REMARKS
07	1	DRAIN PLUG	SA 105	1/2" NPT x 300g	BR.11
06	1	WIRE MESH	SS 304	1.6 #IN.	
05	1	PERFORATED SHEET	SS 304	24 MESH x 32 SWG	
04	4	STUD WITH NUT	SA 193 @ 87/194 Q 20	M10 x 30 Lg x 70 PCD.	
03	1	GASKET	SPR. SS 316 GR. FILLER	LD. 38 x OD. 38 x 4.5 TH.	
02	1	END COVER	SA 105	70 SQ. x 20 TH.	
01	1	HOUSING	SA 105	DN 25 x 800# (SW)	

BILL OF MATERIAL (PER EQUIPT.)

Client	MANGALORE REFINERY & PETROCHEMICALS LTD.	Item.No.	33-SR-130/31/32/33/34	Date	Name
Project	PFCCU	Consultant	EIL	Drawn	15.04.10 VK
PO No.	6993/3160/066/227	Inspection	IBR	Checked	16.04.10 YK
PR No.	6993-00-WG-PR-3160/227	Client Job No.	6993	Approved	16.04.10 YK
Title	G.A. DRAWING OF 'Y'-TYPE STRAINERS		GP Job.No.	GP1215	
	DN 25 x 800# (ZBR)		Snt. No.	1 OF 1	

Rev	Description	Date	Drawn	Chkd	App	Dwg.No.	Description	Scale	NTS	Blks	1/2
0	ISSUED FOR APPROVAL	07.05.10	VK	YK	YK						